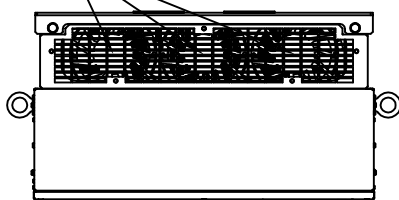
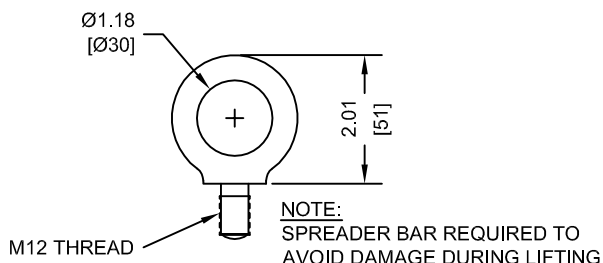


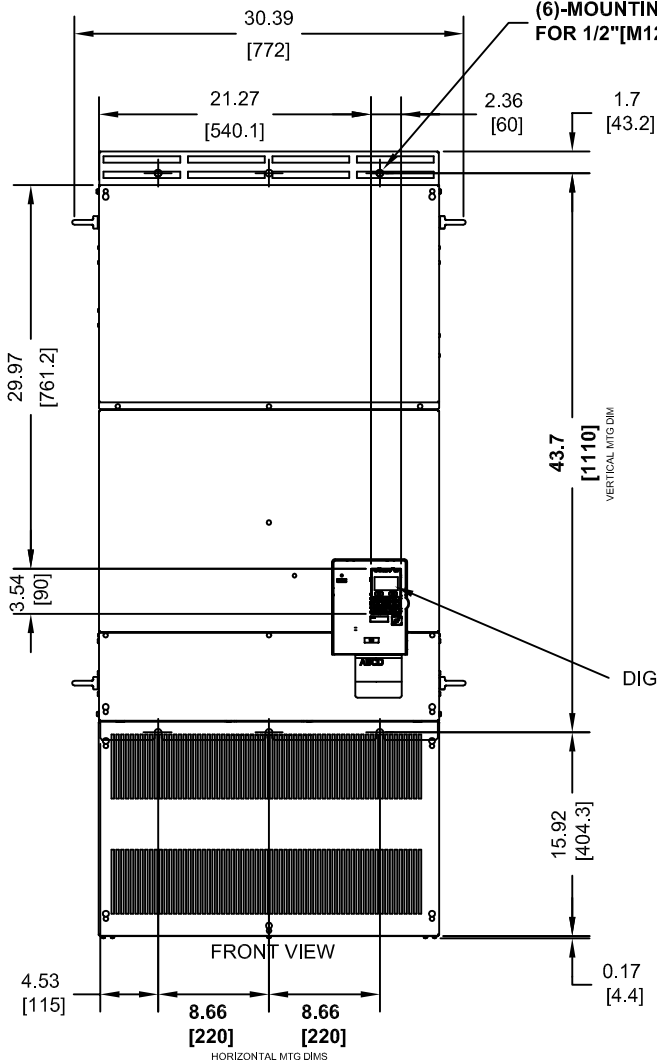
(3) EXTERNAL COOLING FANS



LIFTING AND EYEBOLT DETAILS

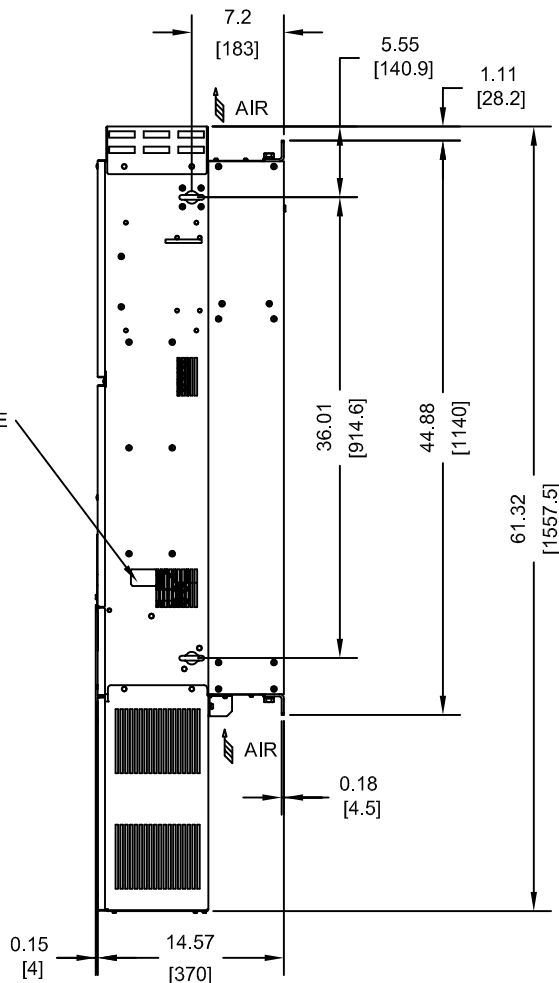


(6)-MOUNTING HOLES FOR 1/2" [M12] SCREWS

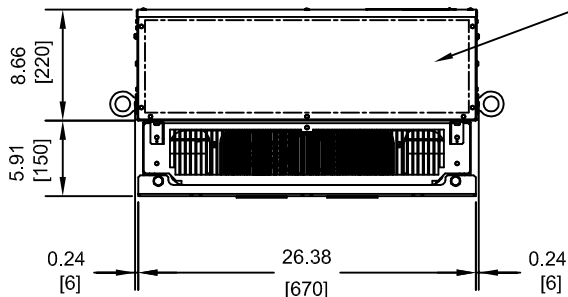


NAMEPLATE

DIGITAL OPERATOR



BOTTOM CONDUIT ENTRY



MODEL # CIMR-ZU	VOLTAGE THREE-PHASE (VAC)	OUTPUT CURRENT (A)	WEIGHT LBS (Kg)	HEAT LOSS (W) (Fc=2kHz)		
				INT	EXT	TOT
4A0480FXX	380/480	480	504 (229)	2011	3881	5893
4A0515FXX		515	504 (229)	1668	4850	6518
4A0590FXX		590	515 (234)	1964	4130	6094

NOTE:
XX DENOTES AA-ZZ

INT=INTERNAL COMPONENTS
EXT=EXTERNAL HEATSINK
TOT=TOTAL

FOR ADDITIONAL DETAILS AND SPECIFICATIONS, CONSULT MANUAL

TOLERANCES / REFERENCES:

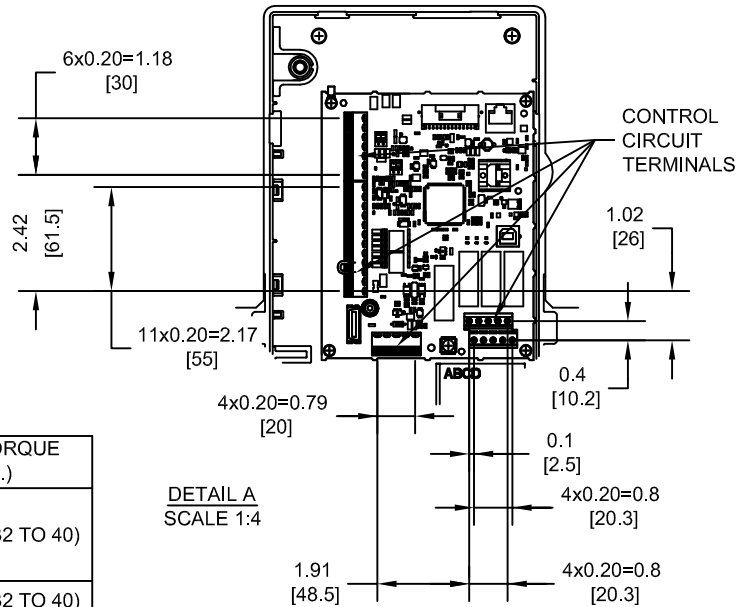
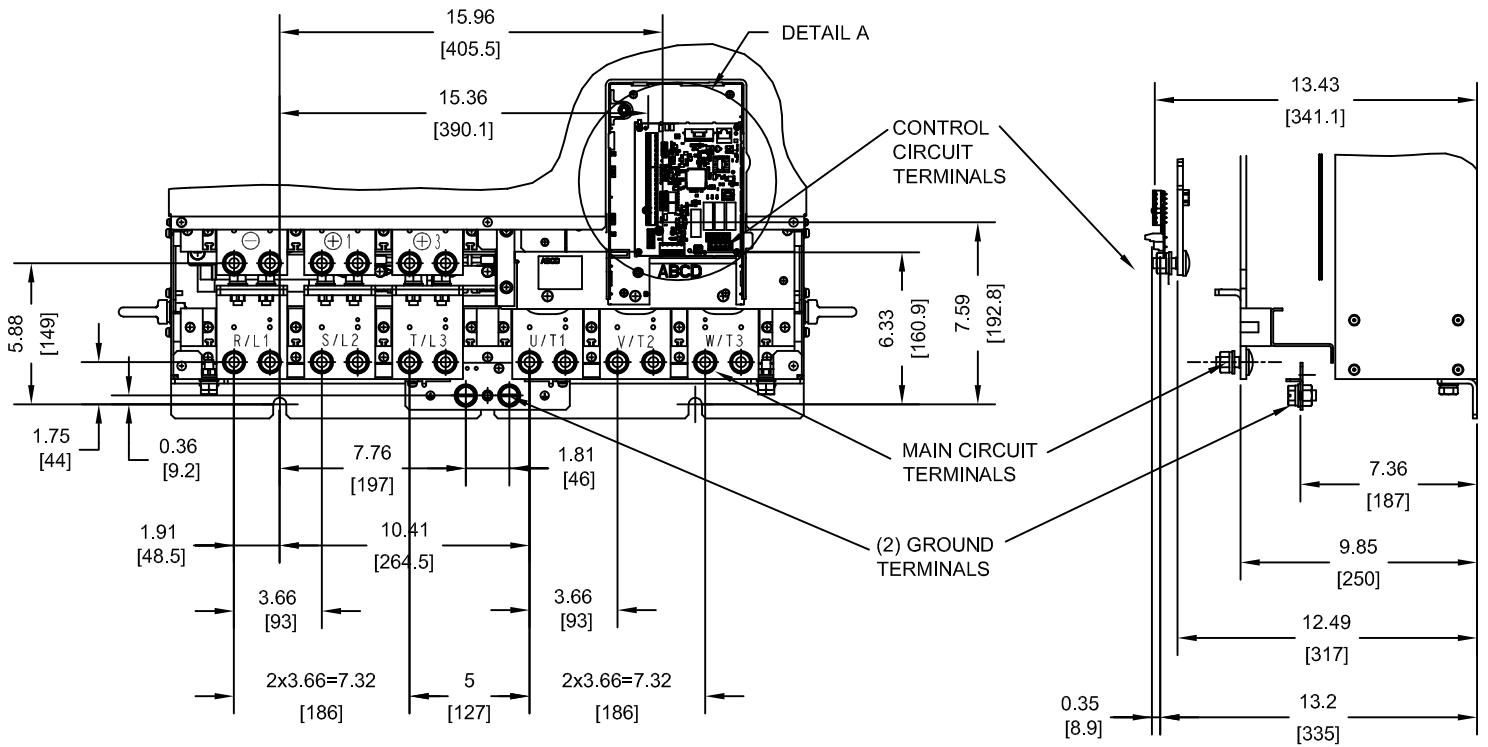


THIS DOCUMENT AND INFORMATION CONTAINED IN IT ARE CONFIDENTIAL, AND CANNOT BE COPIED OR DISCLOSED IN WHOLE OR IN PART WITHOUT THE EXPRESS WRITTEN CONSENT OF YASKAWA AMERICA, INC.

DRAWN: J. MATTAS	DATE 11-7-11	TITLE: Z1000 DIMENSION DRAWING		
CHECKED: J. PIOTROWSKI	DATE 3-9-12	FRAME SIZE 10		
TECH: J. BORJA	DATE 3-5-12	NEMA TYPE 1 ENCLOSURE		
APPROVED: J. CAIRO	DATE 3-14-12	SIZE A	REVISION R00	PAGE 1 of 3
ORIGINAL DESIGN: -	DATE -	DRAWING #: DD.Z1K.FR10.N1		

UNITS: IN [mm] SCALE: 1:15

TERMINAL AND WIRING DETAILS (SCALE 1:8)



TERMINAL AND WIRE SPECIFICATIONS FOR MAIN CIRCUIT AND GROUND

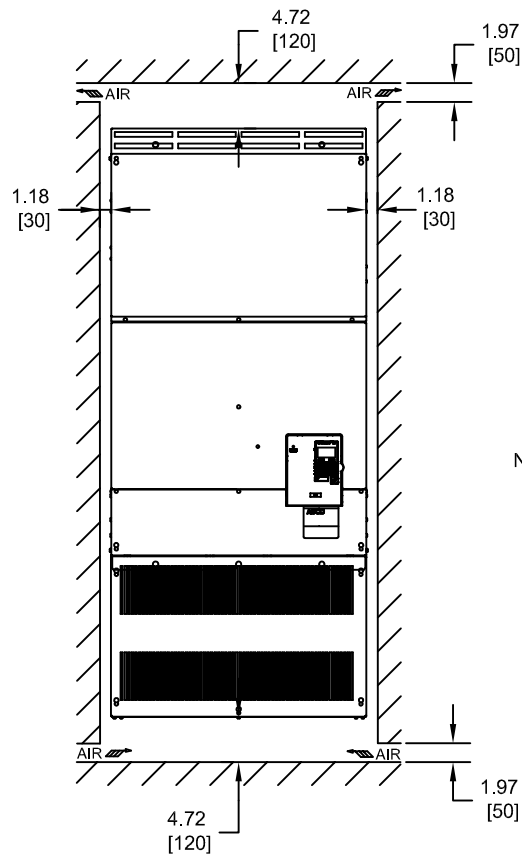
MODEL # CIMR-ZU	TERMINAL SYMBOL	TERMINAL SCREW	CLAMPING TORQUE lb.in.(N.m.)
4A0480	R/L1, S/L2, T/L3	M12	283.2 TO 354.0 (32 TO 40)
	U/T1, V/T2, W/T3		
4A0515	⊖, ⊕1	M12	283.2 TO 354.0 (32 TO 40)
4A0590	⊕3		
	⊕	M12	283.2 TO 354.0 (32 TO 40)

NOTE: REFER TO APPLICABLE CODES FOR PROPER WIRE TYPE AND SIZE

FOR ADDITIONAL DETAILS AND SPECIFICATIONS, CONSULT MANUAL

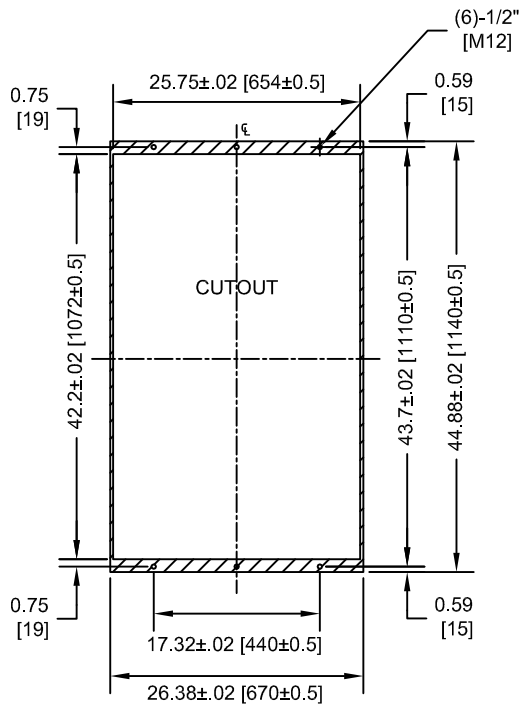
TOLERANCES / REFERENCES:			DRAWN: J. MATTAS DATE: 11-7-11	TITLE: Z1000 DIMENSION DRAWING FRAME SIZE 10 NEMA TYPE 1 ENCLOSURE 4A0480 - 0590		
			CHECKED: J. PIOTROWSKI DATE: 3-9-12	TECH: J. BORJA DATE: 3-5-12	REVISION: R00	PAGE: 2 of 3
		THIS DOCUMENT AND INFORMATION CONTAINED IN IT ARE CONFIDENTIAL, AND CANNOT BE COPIED OR DISCLOSED IN WHOLE OR IN PART WITHOUT THE EXPRESS WRITTEN CONSENT OF YASKAWA AMERICA, INC.	APPROVED: J. CAIRO DATE: 3-14-12	ORIGINAL DESIGN: -	DATE: -	DRAWING #: DD.Z1K.FR10.N1
UNITS: IN [mm]	SCALE: BY VIEW					

MINIMUM INSTALLATION CLEARANCES (SCALE 1:20)



NOTE:
FOR SIDE-BY-SIDE MOUNTING
CONSULT MANUAL

PANEL CUTOUT FOR EXTERNAL HEATSINK
MOUNTING CONFIGURATION (SCALE 1:20)



NOTE:
EXPOSED HEATSINK DEPTH
D=5.91" MINUS PANEL THICKNESS

FOR ADDITIONAL DETAILS AND SPECIFICATIONS, CONSULT MANUAL

TOLERANCES / REFERENCES:			DRAWN: J. MATTAS DATE: 11-7-11	TITLE: Z1000 DIMENSION DRAWING		
			CHECKED: J. PIOTROWSKI DATE: 3-9-12	FRAME SIZE 10 NEMA TYPE 1 ENCLOSURE 4A0480 - 0590		
		TECH: J. BORJA DATE: 3-5-12	APPROVED: J. CAIRO DATE: 3-14-12	SIZE: A	REVISION: R00	PAGE: 3 of 3
UNITS: IN [mm]	SCALE: BY VIEW	THIS DOCUMENT AND INFORMATION CONTAINED IN IT ARE CONFIDENTIAL, AND CANNOT BE COPIED OR DISCLOSED IN WHOLE OR IN PART WITHOUT THE EXPRESS WRITTEN CONSENT OF YASKAWA AMERICA, INC.		ORIGINAL DESIGN: -	DATE: -	DRAWING #: DD.Z1K.FR10.N1